

# Standard Magnetic Speed Sensors

Full Thread – 5/8"–18UNF-2A Thread



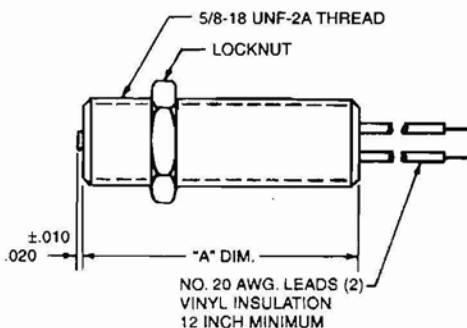
### SPECIFICATIONS – (6252000 & 6253060)

Output Voltage: 40 (P-P MIN.)  
 Resistance: 85 ohms (MAX.)  
 Inductance: 25 mh (MAX.)  
 Temperature Range: – 100°F to + 225°F  
 Pole Piece Dia. (in.): .106  
 Shell: Stainless Steel

### SPECIFICATIONS – (6252000-1 & 6253060-1)

Output Voltage: 190 (P-P MIN.)  
 Resistance: 1500 ohms (MAX.)  
 Inductance: 800mh (MAX.)  
 Temperature Range: – 100° to + 225°F  
 Pole Piece Dia. (in.): .106  
 Shell: Stainless Steel

MODEL NO.	DIMENSION A (inches)
6252000(-1)	2.000
6253060(-1)	3.060



NOTES: (1) Tested at 1,000 inches/second with a 20 pitch, 30 tooth gear at .005" pole piece gap and 100 K ohm load.