

# Miniature Magnetic Speed Sensors

Full Thread – 3/8 - 24

General Purpose – 3/8 - 24



## SPECIFICATIONS – (375000-1 SERIES)

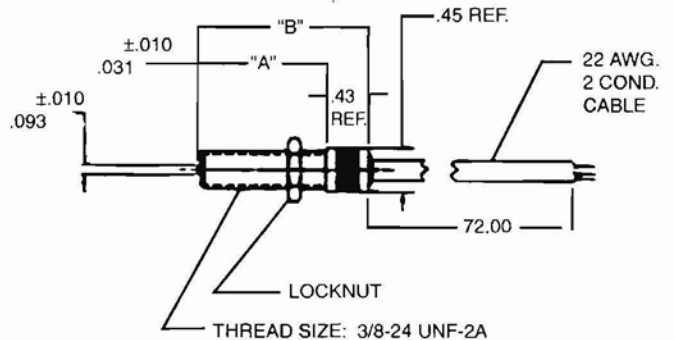
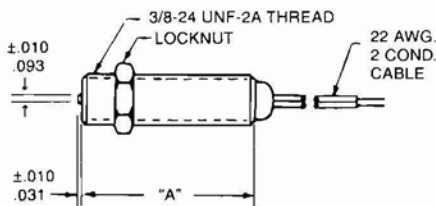
Output Voltage: 60 (P-P MIN.)  
 Resistance: 1000 ohms (MAX.)  
 Inductance: 250 mh (MAX.)  
 Temperature Range: – 100°F to + 225°F  
 Pole Piece Dia. (in.): .093  
 Shell: Stainless Steel

## SPECIFICATIONS – (375000 SERIES)

Output Voltage: 60 (P-P MIN.)  
 Resistance: 1000 ohms (MAX.)  
 Inductance: 250 mh (MAX.)  
 Temperature Range: – 100°F to + 225°F  
 Pole Piece Dia. (in.): .093  
 Shell: Stainless Steel

MODEL NO.	DIM. "A"
375400-1	4.300
375200-1	2.500
375150-1	2.000
375100-1	1.250

MODEL NO.	DIM. "A"	DIM. "B"
375400	4.000	4.430
375200	2.270	2.700
375150	1.675	2.100
375100	1.000	1.430



NOTE: (1) Tested at 1,000 inches/second with a 20 pitch, 30 tooth gear at .005" pole piece gap and 100 K ohm load.